

ECOMOBILITY 



**SCAME**

electrical solutions

## **DUAL WALL BOX DATASHEETS**

## 204.WD11B-3C

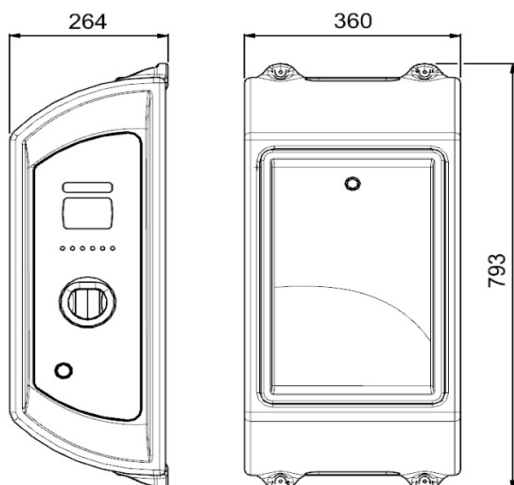
Plastic wall mounting box with  
1 socket with lock Type 3C 1P+N+T 32A 230Vac 7kW



### > FUNCTIONS

- charge in mode 3 with pwm circuit pilot
- identification of connected cord-set size
- protection against overcurrents and electric shock
- energy metering and current consumption
- identification of authorized user
- managing of lid locking and latching system
- working in mode stand-alone free or personal
- predisposition for serial communication

### > DIMENSIONS



### > REFERENCE STANDARD

#### EN 61851-1 (2011)

Electric vehicle conductive charging system.  
Part 1: General requirement.

#### EN 61439-1 (2011)

Low-voltage switchgear and control gear assemblies.  
Part 1: General requirement.

### > TECHNICAL CHARACTERISTICS

Rated current:	<b>32A</b>
Rated voltage:	<b>230Vac</b>
Frequency:	<b>50-60Hz</b>
Insulating voltage:	<b>250V</b>
Protection degree:	<b>IP54</b>
Operating temperature:	<b>-25°C +40°C</b>
Material:	<b>Engineering plastic</b>
Glow wire test:	<b>650°C</b>
IK degree at 20°C:	<b>IK10</b>
Color:	<b>Grey</b>
Mounting:	<b>Wall</b>
Salt mist:	<b>Resistant</b>
UV radiation:	<b>Resistant</b>

### > EQUIPMENTS

- 1 earth terminal 35mm<sup>2</sup>
  - 1 circuit breaker 1P+N C40 30mA ist. A
  - 1 digital energy meter 1P+N 45A
  - 1 contactor 2P 40A 24Vdc
  - 1 fuse holder 1P+N gG 4A
  - 1 power supply 24Vdc 60W
  - 1 control card
  - 1 lcd display 2x20 rows backlight
  - 1 reader RFID 13,56MHz
  - 1 couple of service led
  - 1 lighting bar with RGB led
  - 1 stop charge push-button (mode free)
- Excluded:
- emergency line 24Vdc (optional)

#### Accessories:

- 654.0660: Tubular support in zinc-plated steel
- 654.0659: Plate in zinc-plated steel

## 204.WD11B-T2

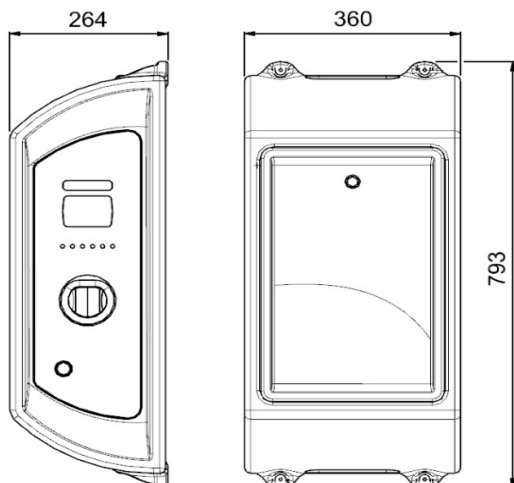
Plastic wall mounting box with  
1 socket with lock Type 2 1P+N+T 32A 230Vac 7kW



### > FUNCTIONS

- charge in mode 3 with pwm circuit pilot
- identification of connected cord-set size
- protection against overcurrents and electric shock
- energy metering and current consumption
- identification of authorized user
- managing of lid locking and latching system
- working in mode stand-alone free or personal
- predisposition for serial communication

### > DIMENSIONS



### > REFERENCE STANDARD

#### EN 61851-1 (2011)

Electric vehicle conductive charging system.  
Part 1: General requirement.

#### EN 61439-1 (2011)

Low-voltage switchgear and control gear assemblies.  
Part 1: General requirement.

### > TECHNICAL CHARACTERISTICS

Rated current:	<b>32A</b>
Rated voltage:	<b>230Vac</b>
Frequency:	<b>50-60Hz</b>
Insulating voltage:	<b>250V</b>
Protection degree:	<b>IP54</b>
Operating temperature:	<b>-25°C +40°C</b>
Material:	<b>Engineering plastic</b>
Glow wire test:	<b>650°C</b>
IK degree at 20°C:	<b>IK10</b>
Color:	<b>Grey</b>
Mounting:	<b>Wall</b>
Salt mist:	<b>Resistant</b>
UV radiation:	<b>Resistant</b>

### > EQUIPMENTS

- 1 earth terminal 35mm<sup>2</sup>
  - 1 circuit breaker 1P+N C40 30mA ist. A
  - 1 digital energy meter 1P+N 45A
  - 1 contactor 2P 40A 24Vdc
  - 1 fuse holder 1P+N gG 4A
  - 1 power supply 24Vdc 60W
  - 1 control card
  - 1 lcd display 2x20 rows backlight
  - 1 reader RFID 13,56MHz
  - 1 couple of service led
  - 1 lighting bar with RGB led
  - 1 stop charge push-button (mode free)
- Excluded:
- emergency line 24Vdc (optional)

#### Accessories:

- 654.0660: Tubular support in zinc-plated steel
- 654.0659: Plate in zinc-plated steel

## 204.WD11B-3A

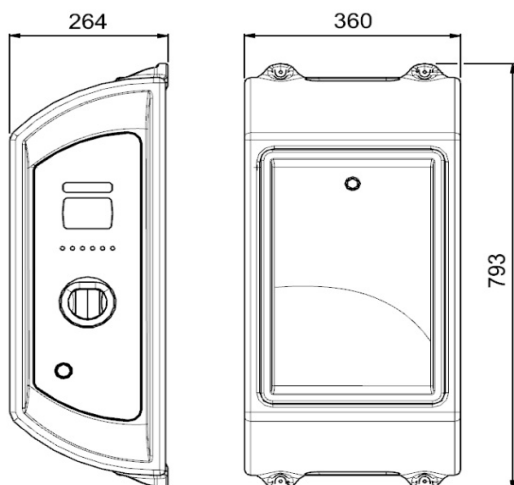
Plastic wall mounting box with  
1 socket with lock Type 3A 1P+N+T 16A 230Vac 3,5kW



### > FUNCTIONS

- charge in mode 3 with pwm circuit pilot
- protection against overcurrents and electric shock
- energy metering and current consumption
- identification of authorized user
- managing of lid locking and latching system
- working in mode stand-alone free or personal
- predisposition for serial communication

### > DIMENSIONS



### > REFERENCE STANDARD

#### EN 61851-1 (2011)

Electric vehicle conductive charging system.  
Part 1: General requirement.

#### EN 61439-1 (2011)

Low-voltage switchgear and control gear assemblies.  
Part 1: General requirement.

### > TECHNICAL CHARACTERISTICS

Rated current:	<b>16A</b>
Rated voltage:	<b>230Vac</b>
Frequency:	<b>50-60Hz</b>
Insulating voltage:	<b>250V</b>
Protection degree:	<b>IP54</b>
Operating temperature:	<b>-25°C +40°C</b>
Material:	<b>Engineering plastic</b>
Glow wire test:	<b>650°C</b>
IK degree at 20°C:	<b>IK10</b>
Color:	<b>Grey</b>
Mounting:	<b>Wall</b>
Salt mist:	<b>Resistant</b>
UV radiation:	<b>Resistant</b>

### > EQUIPMENTS

- 1 earth terminal 35mm<sup>2</sup>
  - 1 circuit breaker 1P+N D20 30mA ist. A
  - 1 digital energy meter 1P+N 45A
  - 1 contactor 2P 25A 24Vdc
  - 1 fuse holder 1P+N gG 4A
  - 1 power supply 24Vdc 60W
  - 1 control card
  - 1 lcd display 2x20 rows backlight
  - 1 reader RFID 13,56MHz
  - 1 couple of service led
  - 1 lighting bar with RGB led
  - 1 stop charge push-button (mode free)
- Excluded:
- emergency line 24Vdc (optional)

#### Accessories:

- 654.0660: Tubular support in zinc-plated steel
- 654.0659: Plate in zinc-plated steel

## 204.WD13B-3C

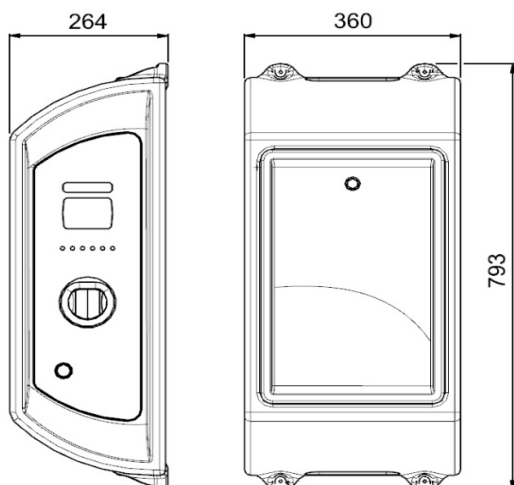
Plastic wall mounting box with  
1 socket with lock Type 3 3P+N+T 32A 400Vac 22kW



### > FUNCTIONS

- charge in mode 3 with pwm circuit pilot
- identification of connected cord-set size
- protection against overcurrents and electric shock
- energy metering and current consumption
- identification of authorized user
- managing of lid locking and latching system
- working in mode stand-alone free or personal
- predisposition for serial communication

### > DIMENSIONS



### > REFERENCE STANDARD

#### EN 61851-1 (2011)

Electric vehicle conductive charging system.  
Part 1: General requirement.

#### EN 61439-1 (2011)

Low-voltage switchgear and control gear assemblies.  
Part 1: General requirement.

### > TECHNICAL CHARACTERISTICS

Rated current:	<b>32A</b>
Rated voltage:	<b>400Vac</b>
Frequency:	<b>50-60Hz</b>
Insulating voltage:	<b>500V</b>
Protection degree:	<b>IP54</b>
Operating temperature:	<b>-25°C +40°C</b>
Material:	<b>Engineering plastic</b>
Glow wire test:	<b>650°C</b>
IK degree at 20°C:	<b>IK10</b>
Color:	<b>Grey</b>
Mounting:	<b>Wall</b>
Salt mist:	<b>Resistant</b>
UV radiation:	<b>Resistant</b>

### > EQUIPMENTS

- 1 earth terminal 35mm<sup>2</sup>
  - 1 circuit breaker 4P C40 30mA ist. B
  - 1 digital energy meter 3P+N 65A
  - 1 contactor 4P 40A 24Vdc
  - 1 fuse holder 1P+N gG 4A
  - 1 power supply 24Vdc 60W
  - 1 control card
  - 1 lcd display 2x20 rows backlight
  - 1 reader RFID 13,56MHz
  - 1 couple of service led
  - 1 lighting bar with RGB led
  - 1 stop charge push-button (mode free)
- Excluded:
- emergency line 24Vdc (optional)

#### Accessories:

- 654.0660: Tubular support in zinc-plated steel
- 654.0659: Plate in zinc-plated steel

## 204.WD13B-T2

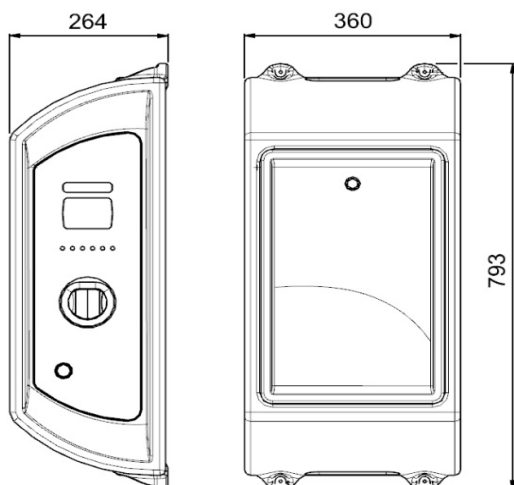
Plastic wall mounting box with  
1 socket with lock Type 2 3P+N+T 32A 400Vac 22kW



### > FUNCTIONS

- charge in mode 3 with pwm circuit pilot
- identification of connected cord-set size
- protection against overcurrents and electric shock
- energy metering and current consumption
- identification of authorized user
- managing of lid locking and latching system
- working in mode stand-alone free or personal
- predisposition for serial communication

### > DIMENSIONS



### > REFERENCE STANDARD

#### EN 61851-1 (2011)

Electric vehicle conductive charging system.  
Part 1: General requirement.

#### EN 61439-1 (2011)

Low-voltage switchgear and control gear assemblies.  
Part 1: General requirement.

### > TECHNICAL CHARACTERISTICS

Rated current:	<b>32A</b>
Rated voltage:	<b>400Vac</b>
Frequency:	<b>50-60Hz</b>
Insulating voltage:	<b>500V</b>
Protection degree:	<b>IP54</b>
Operating temperature:	<b>-25°C +40°C</b>
Material:	<b>Engineering plastic</b>
Glow wire test:	<b>650°C</b>
IK degree at 20°C:	<b>IK10</b>
Color:	<b>Grey</b>
Mounting:	<b>Wall</b>
Salt mist:	<b>Resistant</b>
UV radiation:	<b>Resistant</b>

### > EQUIPMENTS

- 1 earth terminal 35mm<sup>2</sup>
  - 1 circuit breaker 4P C40 30mA ist. B
  - 1 digital energy meter 3P+N 65A
  - 1 contactor 4P 40A 24Vdc
  - 1 fuse holder 1P+N gG 4A
  - 1 power supply 24Vdc 60W
  - 1 control card
  - 1 lcd display 2x20 rows backlight
  - 1 reader RFID 13,56MHz
  - 1 couple of service led
  - 1 lighting bar with RGB led
  - 1 stop charge push-button (mode free)
- Excluded:
- emergency line 24Vdc (optional)

#### Accessories:

- 654.0660: Tubular support in zinc-plated steel
- 654.0659: Plate in zinc-plated steel

## 204.WD21B-3C3C

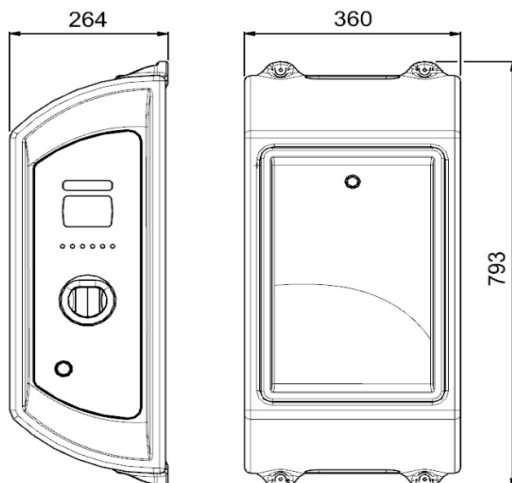
Plastic wall mounting box with  
2 sockets with lock Type 3C 1P+N+T 32A 230Vac 7kW



### > FUNCTIONS

- charge in mode 3 with pwm circuit pilot
- identification of connected cord-set size
- protection against overcurrents and electric shock
- energy metering and current consumption
- identification of authorized user
- managing of lid locking and latching system
- working in mode stand-alone free or personal
- predisposition for serial communication

### > DIMENSIONS



### > REFERENCE STANDARD

#### EN 61851-1 (2011)

Electric vehicle conductive charging system.  
Part 1: General requirement.

#### EN 61439-1 (2011)

Low-voltage switchgear and control gear assemblies.  
Part 1: General requirement.

### > TECHNICAL CHARACTERISTICS

Rated current:	<b>32A</b>
Rated voltage:	<b>400Vac</b>
Frequency:	<b>50-60Hz</b>
Insulating voltage:	<b>500V</b>
Protection degree:	<b>IP54</b>
Operating temperature:	<b>-25°C +40°C</b>
Material:	<b>Engineering plastic</b>
Glow wire test:	<b>650°C</b>
IK degree at 20°C:	<b>IK10</b>
Color:	<b>Grey</b>
Mounting:	<b>Wall</b>
Salt mist:	<b>Resistant</b>
UV radiation:	<b>Resistant</b>

### > EQUIPMENTS

- 1 earth terminal 35mm<sup>2</sup>
  - 1 main switch 4P 40A
  - 2 circuit breakers 1P+N C40 30mA ist. A
  - 2 digital energy meters 1P+N 45A
  - 2 contactors 2P 40A 24Vdc
  - 1 fuse holder 1P+N gG 4A
  - 1 power supply 24Vdc 60W
  - 1 control card + expansion
  - 2 lcd display 2x20 rows backlight
  - 2 readers RFID 13,56MHz
  - 2 couples of service led
  - 2 lighting bar with RGB led
  - 2 stop charge push-buttons (mode free)
- Excluded:
- emergency line 24Vdc (optional)

#### Accessories:

- 654.0660: Tubular support in zinc-plated steel
- 654.0659: Plate in zinc-plated steel

## 204.WD21B-T2T2

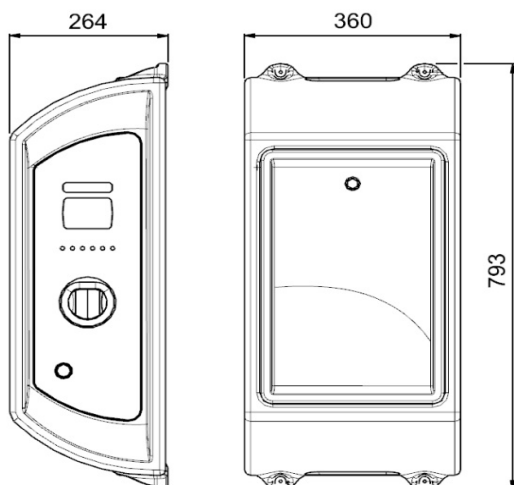
Plastic wall mounting box with  
2 sockets with lock Type 2 1P+N+T 32A 230Vac 7kW



### > FUNCTIONS

- charge in mode 3 with pwm circuit pilot
- identification of connected cord-set size
- protection against overcurrents and electric shock
- energy metering and current consumption
- identification of authorized user
- managing of lid locking and latching system
- working in mode stand-alone free or personal
- predisposition for serial communication

### > DIMENSIONS



### > REFERENCE STANDARD

#### EN 61851-1 (2011)

Electric vehicle conductive charging system.  
Part 1: General requirement.

#### EN 61439-1 (2011)

Low-voltage switchgear and control gear assemblies.  
Part 1: General requirement.

### > TECHNICAL CHARACTERISTICS

Rated current:	<b>32A</b>
Rated voltage:	<b>400Vac</b>
Frequency:	<b>50-60Hz</b>
Insulating voltage:	<b>500V</b>
Protection degree:	<b>IP54</b>
Operating temperature:	<b>-25°C +40°C</b>
Material:	<b>Engineering plastic</b>
Glow wire test:	<b>650°C</b>
IK degree at 20°C:	<b>IK10</b>
Color:	<b>Grey</b>
Mounting:	<b>Wall</b>
Salt mist:	<b>Resistant</b>
UV radiation:	<b>Resistant</b>

### > EQUIPMENTS

- 1 earth terminal 35mm<sup>2</sup>
- 1 main switch 4P 40A
- 2 circuit breakers 1P+N C40 30mA ist. A
- 2 digital energy meters 1P+N 45A
- 2 contactors 2P 40A 24Vdc
- 1 fuse holder 1P+N gG 4A
- 1 power supply 24Vdc 60W
- 1 control card + expansion
- 2 lcd display 2x20 rows backlight
- 2 readers RFID 13,56MHz
- 2 couples of service led
- 2 lighting bar with RGB led
- 2 stop charge push-buttons (mode free)

Excluded:

- emergency line 24Vdc (optional)

Accessories:

- 654.0660: Tubular support in zinc-plated steel
- 654.0659: Plate in zinc-plated steel



## 204.WD21B-T23A

Plastic wall mounting box with

1 socket with lock Type 2 1P+N+T 32A 230Vac 7kW

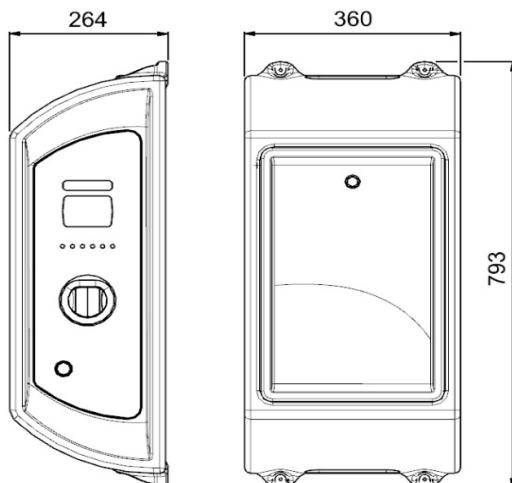
1 socket with lock Type 3A 1P+N+T 16A 230Vac 3,5kW



### > FUNCTIONS

- charge in mode 3 with pwm circuit pilot
- identification of connected cord-set size
- protection against overcurrents and electric shock
- energy metering and current consumption
- identification of authorized user
- managing of lid locking and latching system
- working in mode stand-alone free or personal
- predisposition for serial communication

### > DIMENSIONS



### > REFERENCE STANDARD

#### EN 61851-1 (2011)

Electric vehicle conductive charging system.

Part 1: General requirement.

#### EN 61439-1 (2011)

Low-voltage switchgear and control gear assemblies.

Part 1: General requirement.

### > TECHNICAL CHARACTERISTICS

Rated current:	<b>32A</b>
Rated voltage:	<b>400Vac</b>
Frequency:	<b>50-60Hz</b>
Insulating voltage:	<b>500V</b>
Protection degree:	<b>IP54</b>
Operating temperature:	<b>-25°C +40°C</b>
Material:	<b>Engineering plastic</b>
Glow wire test:	<b>650°C</b>
IK degree at 20°C:	<b>IK10</b>
Color:	<b>Grey</b>
Mounting:	<b>Wall</b>
Salt mist:	<b>Resistant</b>
UV radiation:	<b>Resistant</b>

### > EQUIPMENTS

- 1 earth terminal 35mm<sup>2</sup>
  - 1 main switch 4P 40A
  - 1 circuit breaker 1P+N C40 30mA ist. A
  - 1 circuit breaker 1P+N D20 30mA ist. A
  - 2 digital energy meters 1P+N 45A
  - 1 contactor 2P 40A 24Vdc
  - 1 contactor 2P 25A 24Vdc
  - 1 fuse holder 1P+N gG 4A
  - 1 power supply 24Vdc 60W
  - 1 control card + expansion
  - 2 lcd display 2x20 rows backlight
  - 2 readers RFID 13,56MHz
  - 2 couples of service led
  - 2 lighting bar with RGB led
  - 2 stop charge push-buttons (mode free)
- Excluded:
- emergency line 24Vdc (optional)

#### Accessories:

654.0660: Tubular support in zinc-plated steel

654.0659: Plate in zinc-plated steel

## 204.WD21B-3A3A

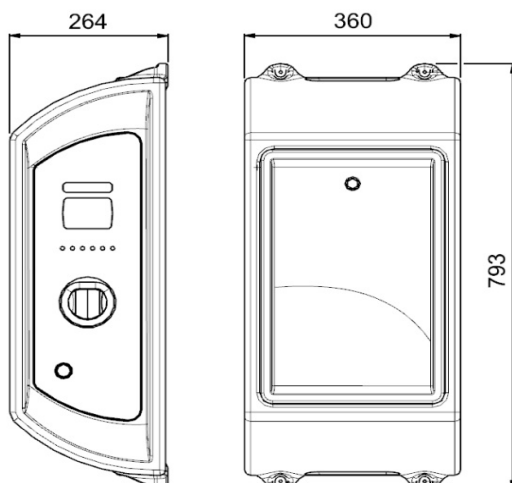
Plastic wall mounting box with  
2 sockets with lock Type 3A 1P+N+T 16A 230Vac 3,5kW



### > FUNCTIONS

- charge in mode 3 with pwm circuit pilot
- protection against overcurrents and electric shock
- energy metering and current consumption
- identification of authorized user
- managing of lid locking and latching system
- working in mode stand-alone free or personal
- predisposition for serial communication

### > DIMENSIONS



### > REFERENCE STANDARD

#### EN 61851-1 (2011)

Electric vehicle conductive charging system.  
Part 1: General requirement.

#### EN 61439-1 (2011)

Low-voltage switchgear and control gear assemblies.  
Part 1: General requirement.

### > TECHNICAL CHARACTERISTICS

Rated current:	<b>16A</b>
Rated voltage:	<b>400Vac</b>
Frequency:	<b>50-60Hz</b>
Insulating voltage:	<b>500V</b>
Protection degree:	<b>IP54</b>
Operating temperature:	<b>-25°C +40°C</b>
Material:	<b>Engineering plastic</b>
Glow wire test:	<b>650°C</b>
IK degree at 20°C:	<b>IK10</b>
Color:	<b>Grey</b>
Mounting:	<b>Wall</b>
Salt mist:	<b>Resistant</b>
UV radiation:	<b>Resistant</b>

### > EQUIPMENTS

- 1 earth terminal 35mm<sup>2</sup>
- 1 main switch 4P 40A
- 2 circuit breakers 1P+N D20 30mA ist. A
- 2 digital energy meters 1P+N 45A
- 2 contactors 2P 25A 24Vdc
- 1 fuse holder 1P+N gG 4A
- 1 power supply 24Vdc 60W
- 1 control card + expansion
- 2 lcd display 2x20 rows backlight
- 2 readers RFID 13,56MHz
- 2 couples of service led
- 2 lighting bar with RGB led
- 2 stop charge push-buttons (mode free)

Excluded:

- emergency line 24Vdc (optional)

Accessories:

- 654.0660: Tubular support in zinc-plated steel
- 654.0659: Plate in zinc-plated steel

## 204.WD22B-T23A

Plastic wall mounting box with

1 socket with lock Type 2 3P+N+T 32A 400Vac 22kW

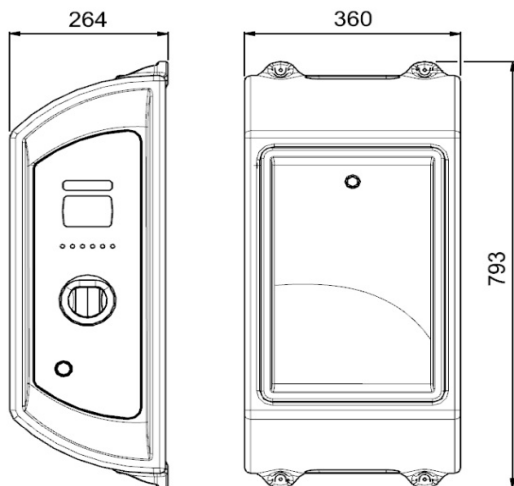
1 socket with lock Type 3A 1P+N+T 16A 230Vac 3,5kW



### > FUNCTIONS

- charge in mode 3 with pwm circuit pilot
- identification of connected cord-set size
- protection against overcurrents and electric shock
- energy metering and current consumption
- identification of authorized user
- managing of lid locking and latching system
- working in mode stand-alone free or personal
- predisposition for serial communication

### > DIMENSIONS



### > REFERENCE STANDARD

#### EN 61851-1 (2011)

Electric vehicle conductive charging system.

Part 1: General requirement.

#### EN 61439-1 (2011)

Low-voltage switchgear and control gear assemblies.

Part 1: General requirement.

### > TECHNICAL CHARACTERISTICS

Rated current:	<b>50A</b>
Rated voltage:	<b>400Vac</b>
Frequency:	<b>50-60Hz</b>
Insulating voltage:	<b>500V</b>
Protection degree:	<b>IP54</b>
Operating temperature:	<b>-25°C +40°C</b>
Material:	<b>Engineering plastic</b>
Glow wire test:	<b>650°C</b>
IK degree at 20°C:	<b>IK10</b>
Color:	<b>Grey</b>
Mounting:	<b>Wall</b>
Salt mist:	<b>Resistant</b>
UV radiation:	<b>Resistant</b>

### > EQUIPMENTS

- 1 earth terminal 35mm<sup>2</sup>
  - 1 main switch 4P 80A
  - 1 circuit breaker 4P C40 30mA ist. B
  - 1 circuit breaker 1P+N D20 30mA ist. A
  - 1 digital energy meter 3P+N 65A
  - 1 digital energy meter 1P+N 45A
  - 1 contactor 4P 40A 24Vdc
  - 1 contactor 2P 25A 24Vdc
  - 1 fuse holder 1P+N gG 4A
  - 1 power supply 24Vdc 60W
  - 1 control card + expansion
  - 2 lcd display 2x20 rows backlight
  - 2 readers RFID 13,56MHz
  - 2 couples of service led
  - 2 lighting bar with RGB led
  - 2 stop charge push-buttons (mode free)
- Excluded:
- emergency line 24Vdc (optional)

#### Accessories:

- 654.0660: Tubular support in zinc-plated steel
- 654.0659: Plate in zinc-plated steel

## 204.WD23B-3C3C

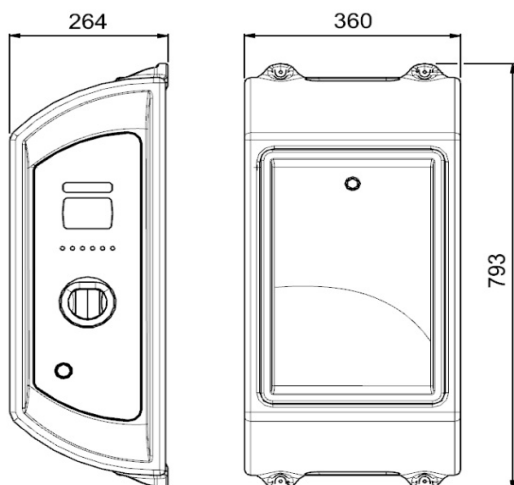
Plastic wall mounting box with  
2 sockets with lock Type 3C 3P+N+T 32A 400Vac 22kW



### > FUNCTIONS

- charge in mode 3 with pwm circuit pilot
- identification of connected cord-set size
- protection against overcurrents and electric shock
- energy metering and current consumption
- identification of authorized user
- managing of lid locking and latching system
- working in mode stand-alone free or personal
- predisposition for serial communication

### > DIMENSIONS



### > REFERENCE STANDARD

#### EN 61851-1 (2011)

Electric vehicle conductive charging system.  
Part 1: General requirement.

#### EN 61439-1 (2011)

Low-voltage switchgear and control gear assemblies.  
Part 1: General requirement.

### > TECHNICAL CHARACTERISTICS

Rated current:	<b>63A</b>
Rated voltage:	<b>400Vac</b>
Frequency:	<b>50-60Hz</b>
Insulating voltage:	<b>500V</b>
Protection degree:	<b>IP54</b>
Operating temperature:	<b>-25°C +40°C</b>
Material:	<b>Engineering plastic</b>
Glow wire test:	<b>650°C</b>
IK degree at 20°C:	<b>IK10</b>
Color:	<b>Grey</b>
Mounting:	<b>Wall</b>
Salt mist:	<b>Resistant</b>
UV radiation:	<b>Resistant</b>

### > EQUIPMENTS

- 1 earth terminal 35mm<sup>2</sup>
- 1 main switch 4P 80A
- 2 circuit breakers 4P C40 30mA ist. B
- 2 digital energy meters 3P+N 65A
- 2 contactors 4P 40A 24Vdc
- 1 fuse holder 1P+N gG 4A
- 1 power supply 24Vdc 60W
- 1 control card + expansion
- 2 lcd display 2x20 rows backlight
- 2 readers RFID 13,56MHz
- 2 couples of service led
- 2 lighting bar with RGB led
- 2 stop charge push-buttons (mode free)

Excluded:

- emergency line 24Vdc (optional)

Accessories:

- 654.0660: Tubular support in zinc-plated steel
- 654.0659: Plate in zinc-plated steel

## 204.WD23B-T2T2

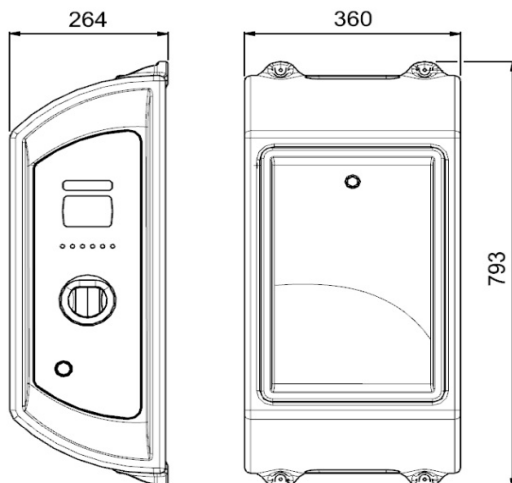
Plastic wall mounting box with  
2 sockets with lock Type 2 3P+N+T 32A 400Vac 22kW



### > FUNCTIONS

- charge in mode 3 with pwm circuit pilot
- identification of connected cord-set size
- protection against overcurrents and electric shock
- energy metering and current consumption
- identification of authorized user
- managing of lid locking and latching system
- working in mode stand-alone free or personal
- predisposition for serial communication

### > DIMENSIONS



### > REFERENCE STANDARD

#### EN 61851-1 (2011)

Electric vehicle conductive charging system.  
Part 1: General requirement.

#### EN 61439-1 (2011)

Low-voltage switchgear and control gear assemblies.  
Part 1: General requirement.

### > TECHNICAL CHARACTERISTICS

Rated current:	<b>63A</b>
Rated voltage:	<b>400Vac</b>
Frequency:	<b>50-60Hz</b>
Insulating voltage:	<b>500V</b>
Protection degree:	<b>IP54</b>
Operating temperature:	<b>-25°C +40°C</b>
Material:	<b>Engineering plastic</b>
Glow wire test:	<b>650°C</b>
IK degree at 20°C:	<b>IK10</b>
Color:	<b>Grey</b>
Mounting:	<b>Wall</b>
Salt mist:	<b>Resistant</b>
UV radiation:	<b>Resistant</b>

### > EQUIPMENTS

- 1 earth terminal 35mm<sup>2</sup>
  - 1 main switch 4P 80A
  - 2 circuit breakers 4P C40 30mA ist. B
  - 2 digital energy meters 3P+N 65A
  - 2 contactors 4P 40A 24Vdc
  - 1 fuse holder 1P+N gG 4A
  - 1 power supply 24Vdc 60W
  - 1 control card + expansion
  - 2 lcd display 2x20 rows backlight
  - 2 readers RFID 13,56MHz
  - 2 couples of service led
  - 2 lighting bar with RGB led
  - 2 stop charge push-buttons (mode free)
- Excluded:
- emergency line 24Vdc (optional)

#### Accessories:

- 654.0660: Tubular support in zinc-plated steel
- 654.0659: Plate in zinc-plated steel