

ECOMOBILITY 



SCAME
electrical solutions

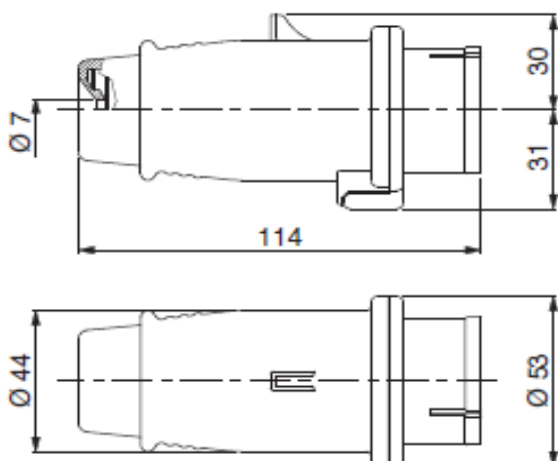
**CORD-SET
DATASHEETS**

200.CS3A13A1

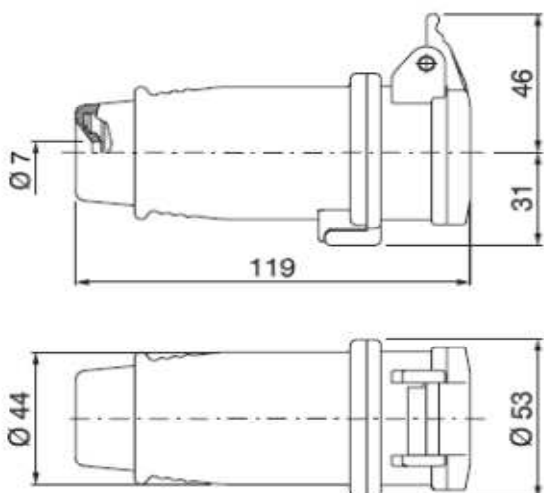
Cord set with plug Type 3A 16A 1P
cable 3x2,5+1x0,5 5m - connector Type 3A 16A 1P



> PLUG DIMENSIONS



> CONNECTOR DIMENSIONS



> REFERENCE STANDARD

EN 62196-1 (2012)

Plugs, socket-outlets, vehicle couplers and vehicle inlets.

Conductive charging of electric vehicles.

Part 1: General requirements.

EN 62196-2 (2012)

Plugs, socket-outlets and vehicle couplers.

Conductive charging of electric vehicles.

Part 2: Dimensional interchangeability requirements
for a.c. pin and contact-tube accessories.

CEI 69-6 (2011)

Standardization sheet of plug and socket-outlet for the
connection of electric vehicles to the supply network.

> TECHNICAL CHARACTERISTICS

Rated current:	16A
Rated voltage:	200-250VAC
Frequency:	50-60Hz
Insulating voltage:	250V
Protection degree:	IP44
Operating temperature:	-30°C +50°C
Material:	Engineering plastic
Salt mist:	Resistant
UV radiation:	Resistant

> CABLE

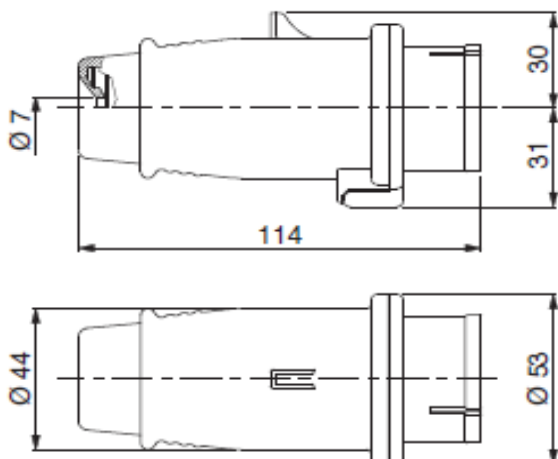
Rated voltage:	300/500V
Insulation/Sheath:	TPE / TPE
Max. temperature:	+105°C

200.CS3A1T11

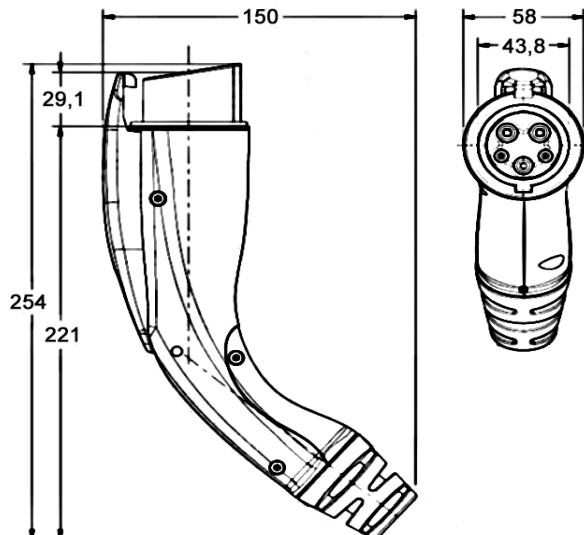
Cord set with plug Type 3A 16A 1P
cable 3x2,5+1x0,5 5m - connector Type 1 20A 1P



> PLUG DIMENSIONS



> CONNECTOR DIMENSIONS



> REFERENCE STANDARD

EN 62196-1 (2012)

Plugs, socket-outlets, vehicle couplers and vehicle inlets.

Conductive charging of electric vehicles.

Part 1: General requirements.

EN 62196-2 (2012)

Plugs, socket-outlets and vehicle couplers.

Conductive charging of electric vehicles.

Part 2: Dimensional interchangeability requirements for a.c. pin and contact-tube accessories.

CEI 69-6 (2011)

Foglio di unificazione di prese a spina per la connessione alla rete elettrica di veicoli elettrici stradali.

SAE J1772 (2012)

Electric Vehicle and Plug In Hybrid Electric Vehicle
Conductive Charge Coupler

> TECHNICAL CHARACTERISTICS

Rated current:	16A
Rated voltage:	200-250VAC
Frequency:	50-60Hz
Insulating voltage:	250V
Protection degree:	IP44
Operating temperature:	-30°C +50°C
Material:	Engineering plastic
Salt mist:	Resistant
UV radiation:	Resistant

> CABLE

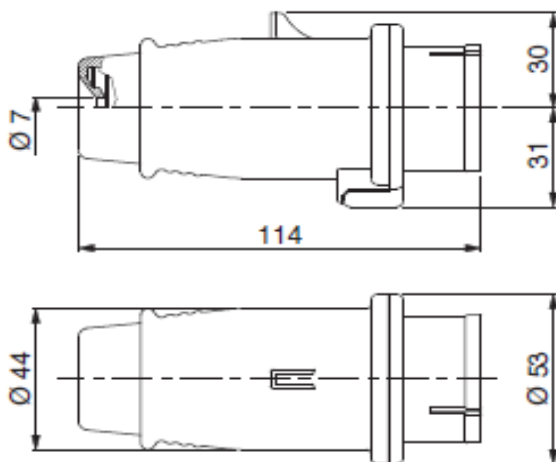
Rated voltage:	300/500V
Insulation/Sheath:	TPE / TPE
Max. temperature:	+105°C

200.CS3A1T21

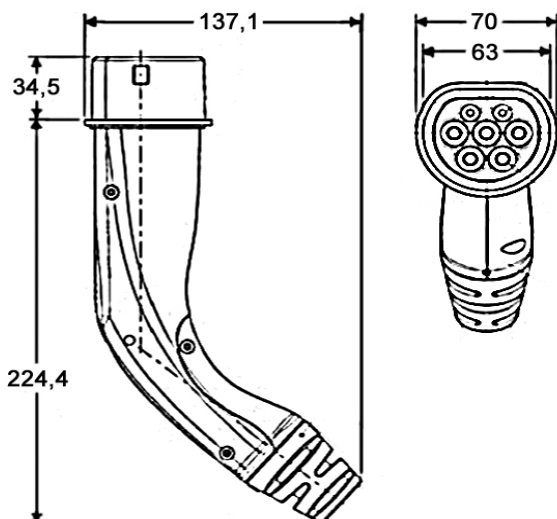
Cord set with plug Type 3A 16A 1P
cable 3x2,5+1x0,5 5m - connector Type 2 20A 1P



> PLUG DIMENSIONS



> CONNECTOR DIMENSIONS



> REFERENCE STANDARD

EN 62196-1 (2012)

Plugs, socket-outlets, vehicle couplers and vehicle inlets.
Conductive charging of electric vehicles.
Part 1: General requirements.

EN 62196-2 (2012)

Plugs, socket-outlets and vehicle couplers.
Conductive charging of electric vehicles.
Part 2: Dimensional interchangeability requirements
for a.c. pin and contact-tube accessories.

CEI 69-6 (2011)

Standardization sheet of plug and socket-outlet for the
connection of electric vehicles to the supply network.

> TECHNICAL CHARACTERISTICS

Rated current:	16A
Rated voltage:	200-250VAC
Frequency:	50-60Hz
Insulating voltage:	250V
Protection degree:	IP44
Operating temperature:	-30°C +50°C
Material:	Engineering plastic
Salt mist:	Resistant
UV radiation:	Resistant

> CABLE

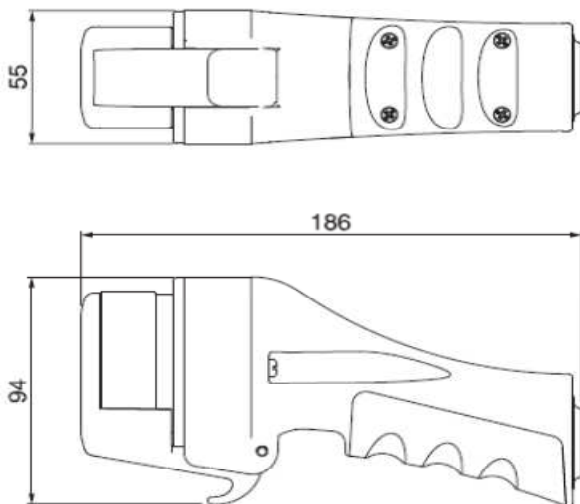
Rated voltage:	300/500V
Insulation/Sheath:	TPE / TPE
Max. temperature:	+105°C

200.CS3C1T11

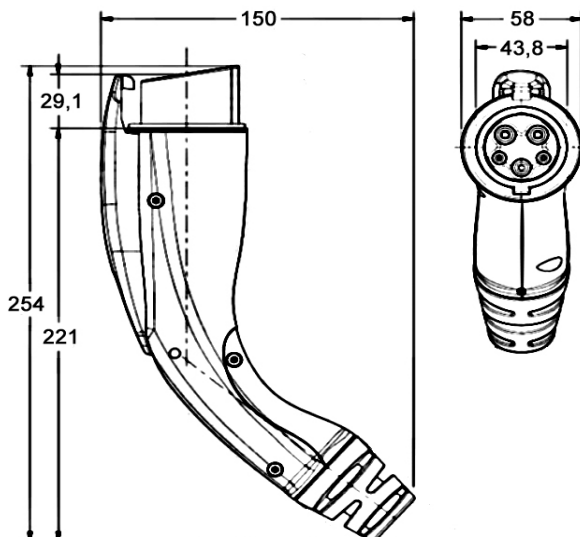
Cord set with plug Type 3C 32A 3P
cable 3x2,5+1x0,5 5m - connector Type 1 20A 1P



> PLUG DIMENSIONS



> CONNECTOR DIMENSIONS



> REFERENCE STANDARD

EN 62196-1 (2012)

Plugs, socket-outlets, vehicle couplers and vehicle inlets.
Conductive charging of electric vehicles.
Part 1: General requirements.

EN 62196-2 (2012)

Plugs, socket-outlets and vehicle couplers.
Conductive charging of electric vehicles.
Part 2: Dimensional interchangeability requirements
for a.c. pin and contact-tube accessories.

SAE J1772 (2012)

Electric Vehicle and Plug In Hybrid Electric Vehicle
Conductive Charge Coupler

> TECHNICAL CHARACTERISTICS

Rated current:	20A
Rated voltage:	200-250VAC
Frequency:	50-60Hz
Insulating voltage:	500V
Protection degree:	IP44
Operating temperature:	-30°C +50°C
Material:	Engineering plastic
Salt mist:	Resistant
UV radiation:	Resistant

> CABLE

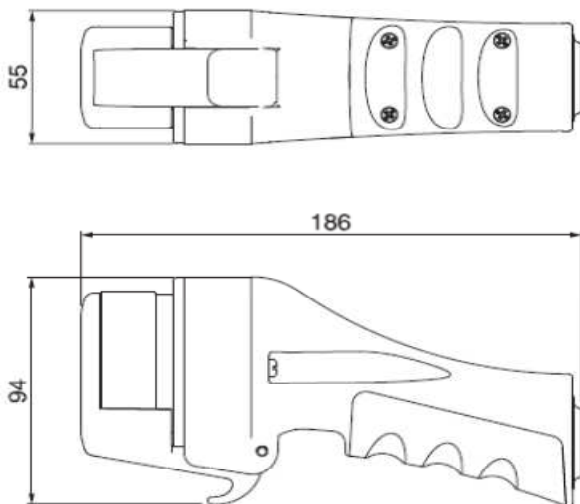
Rated voltage:	300/500V
Insulation/Sheath:	TPE / TPE
Max. temperature:	+105°C

200.CS3C1T12

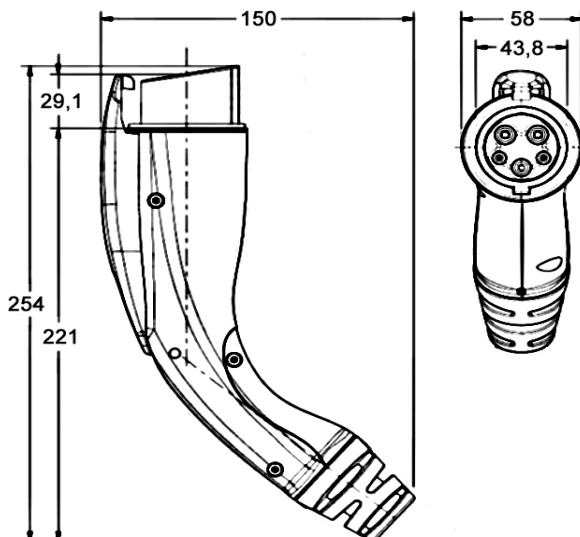
Cord set with plug Type 3C 32A 3P
cable 3x6+1x0,5 5m - connector Type 1 32A 1P



> PLUG DIMENSIONS



> CONNECTOR DIMENSIONS



> REFERENCE STANDARD

EN 62196-1 (2012)

Plugs, socket-outlets, vehicle couplers and vehicle inlets.
Conductive charging of electric vehicles.
Part 1: General requirements.

EN 62196-2 (2012)

Plugs, socket-outlets and vehicle couplers.
Conductive charging of electric vehicles.
Part 2: Dimensional interchangeability requirements
for a.c. pin and contact-tube accessories.

SAE J1772 (2012)

Electric Vehicle and Plug In Hybrid Electric Vehicle
Conductive Charge Coupler

> TECHNICAL CHARACTERISTICS

Rated current:	32A
Rated voltage:	200-250VAC
Frequency:	50-60Hz
Insulating voltage:	500V
Protection degree:	IP44
Operating temperature:	-30°C +50°C
Material:	Engineering plastic
Salt mist:	Resistant
UV radiation:	Resistant

> CABLE

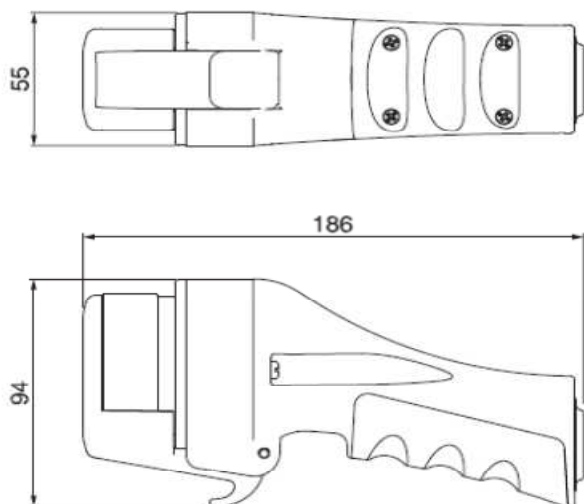
Rated voltage:	300/500V
Insulation/Sheath:	TPE / TPE
Max. temperature:	+105°C

200.CS3C1T22

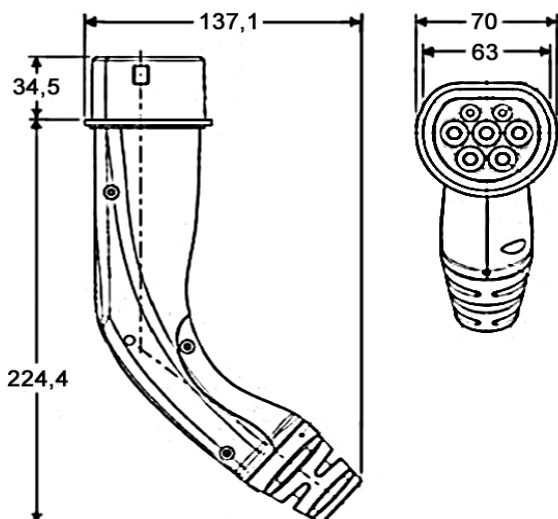
Cord set with plug Type 3C 32A 3P
cable 5x2,5+1x0,5 5m - connector Type 2 20A 3P



> PLUG DIMENSIONS



> CONNECTOR DIMENSIONS



> REFERENCE STANDARD

EN 62196-1 (2012)

Plugs, socket-outlets, vehicle couplers and vehicle inlets.

Conductive charging of electric vehicles.

Part 1: General requirements.

EN 62196-2 (2012)

Plugs, socket-outlets and vehicle couplers.

Conductive charging of electric vehicles.

Part 2: Dimensional interchangeability requirements for a.c. pin and contact-tube accessories.

> TECHNICAL CHARACTERISTICS

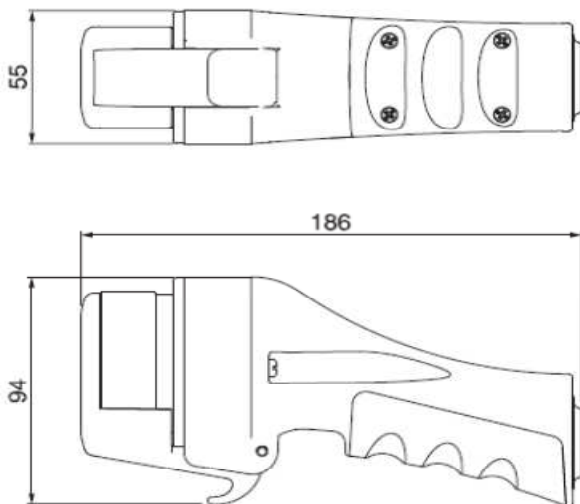
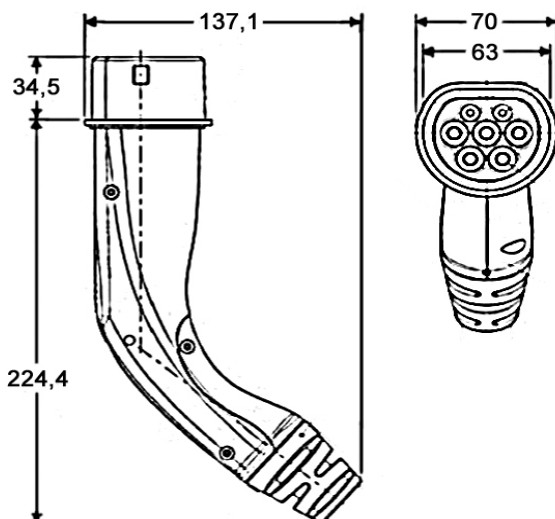
Rated current:	20A
Rated voltage:	380-480VAC
Frequency:	50-60Hz
Insulating voltage:	500V
Protection degree:	IP44
Operating temperature:	-30°C +50°C
Material:	Engineering plastic
Salt mist:	Resistant
UV radiation:	Resistant

> CABLE

Rated voltage:	300/500V
Insulation/Sheath:	TPE / TPE
Max. temperature:	+105°C

200.CS3C1T24

Cord set with plug Type 3C 32A 3P
cable 5x6+1x0,5 5m - connector Type 2 32A 3P

**> PLUG DIMENSIONS****> CONNECTOR DIMENSIONS****> REFERENCE STANDARD****EN 62196-1 (2012)**

Plugs, socket-outlets, vehicle couplers and vehicle inlets.
Conductive charging of electric vehicles.
Part 1: General requirements.

EN 62196-2 (2012)

Plugs, socket-outlets and vehicle couplers.
Conductive charging of electric vehicles.
Part 2: Dimensional interchangeability requirements
for a.c. pin and contact-tube accessories.

> TECHNICAL CHARACTERISTICS

Rated current:	32A
Rated voltage:	380-480VAC
Frequency:	50-60Hz
Insulating voltage:	500V
Protection degree:	IP44
Operating temperature:	-30°C +50°C
Material:	Engineering plastic
Salt mist:	Resistant
UV radiation:	Resistant

> CABLE

Rated voltage:	300/500V
Insulation/Sheath:	TPE / TPE
Max. temperature:	+105°C

200.CST21T11

Cord set with plug Type 2 20A 1P
cable 3x2,5+1x0,5 5m - connector Type 1 20A 1P

**> REFERENCE STANDARD****EN 62196-1 (2012)**

Plugs, socket-outlets, vehicle couplers and vehicle inlets.

Conductive charging of electric vehicles.

Part 1: General requirements.

EN 62196-2 (2012)

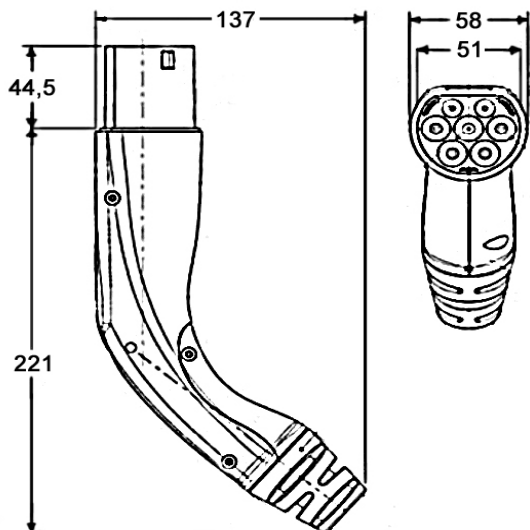
Plugs, socket-outlets and vehicle couplers.

Conductive charging of electric vehicles.

Part 2: Dimensional interchangeability requirements
for a.c. pin and contact-tube accessories.

SAE J1772 (2012)

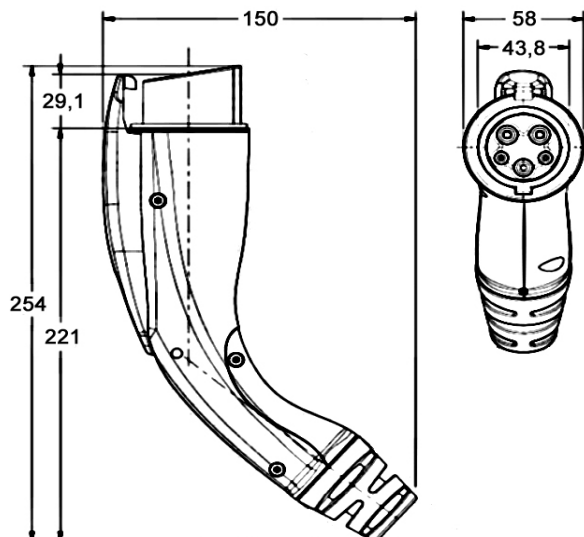
Electric Vehicle and Plug In Hybrid Electric Vehicle
Conductive Charge Coupler

> PLUG DIMENSIONS**> TECHNICAL CHARACTERISTICS**

Rated current:	20A
Rated voltage:	200-250VAC
Frequency:	50-60Hz
Insulating voltage:	500V
Protection degree:	IP44
Operating temperature:	-30°C +50°C
Material:	Engineering plastic
Salt mist:	Resistant
UV radiation:	Resistant

> CABLE

Rated voltage:	300/500V
Insulation/Sheath:	TPE / TPE
Max. temperature:	+105°C

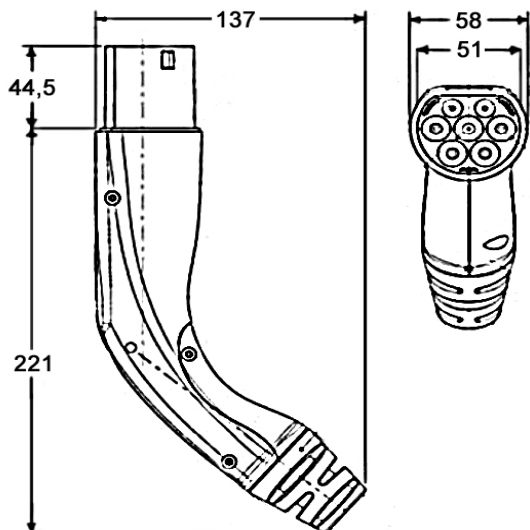
> CONNECTOR DIMENSIONS

200.CST23T12

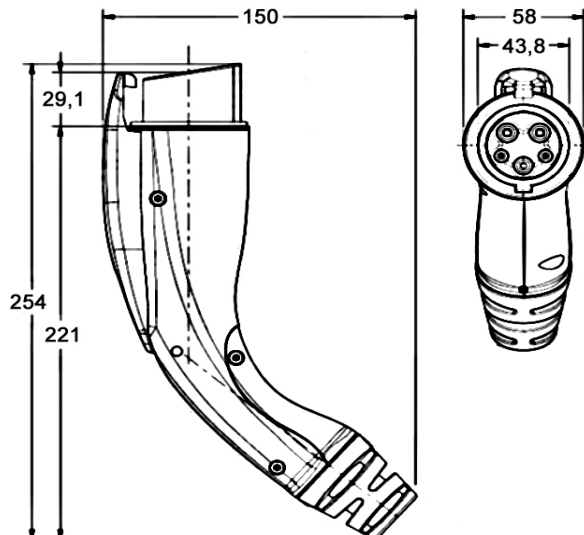
Cord set with plug Type 2 32A 1P
cable 3x6+1x0,5 5m - connector Type 1 32A 1P



> PLUG DIMENSIONS



> CONNECTOR DIMENSIONS



> REFERENCE STANDARD

EN 62196-1 (2012)

Plugs, socket-outlets, vehicle couplers and vehicle inlets.
Conductive charging of electric vehicles.

Part 1: General requirements.

EN 62196-2 (2012)

Plugs, socket-outlets and vehicle couplers.

Conductive charging of electric vehicles.

Part 2: Dimensional interchangeability requirements
for a.c. pin and contact-tube accessories.

SAE J1772 (2012)

Electric Vehicle and Plug In Hybrid Electric Vehicle
Conductive Charge Coupler

> TECHNICAL CHARACTERISTICS

Rated current:	32A
Rated voltage:	200-250VAC
Frequency:	50-60Hz
Insulating voltage:	500V
Protection degree:	IP44
Operating temperature:	-30°C +50°C
Material:	Engineering plastic
Salt mist:	Resistant
UV radiation:	Resistant

> CABLE

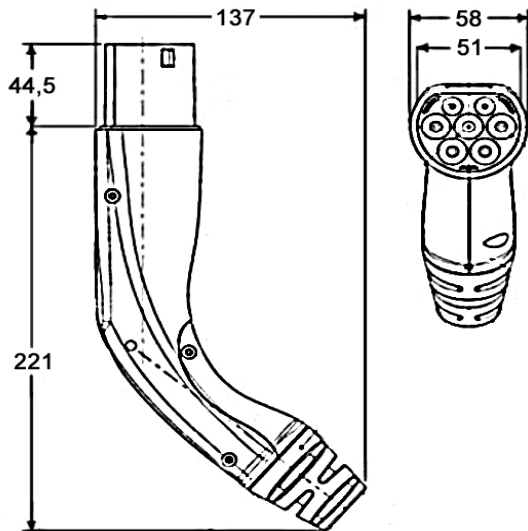
Rated voltage:	300/500V
Insulation/Sheath:	TPE / TPE
Max. temperature:	+105°C

200.CST21T21

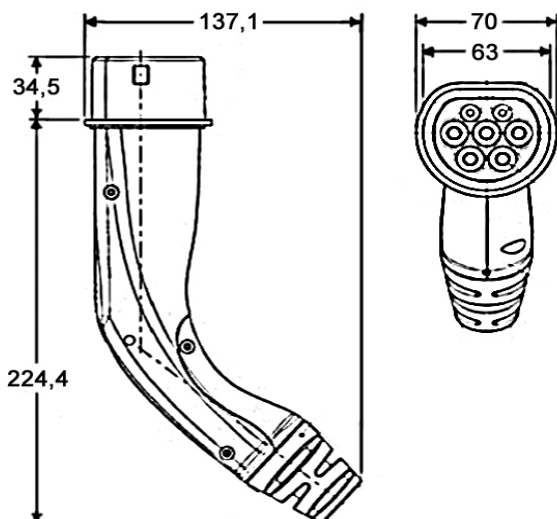
Cord set with plug Type 2 20A 1P
cable 3x2,5+1x0,5 5m - connector Type 2 20A 1P



> PLUG DIMENSIONS



> CONNECTOR DIMENSIONS



> REFERENCE STANDARD

EN 62196-1 (2012)

Plugs, socket-outlets, vehicle couplers and vehicle inlets.
Conductive charging of electric vehicles.
Part 1: General requirements.

EN 62196-2 (2012)

Plugs, socket-outlets and vehicle couplers.
Conductive charging of electric vehicles.
Part 2: Dimensional interchangeability requirements
for a.c. pin and contact-tube accessories.

> TECHNICAL CHARACTERISTICS

Rated current:	20A
Rated voltage:	200-250VAC
Frequency:	50-60Hz
Insulating voltage:	500V
Protection degree:	IP44
Operating temperature:	-30°C +50°C
Material:	Engineering plastic
Salt mist:	Resistant
UV radiation:	Resistant

> CABLE

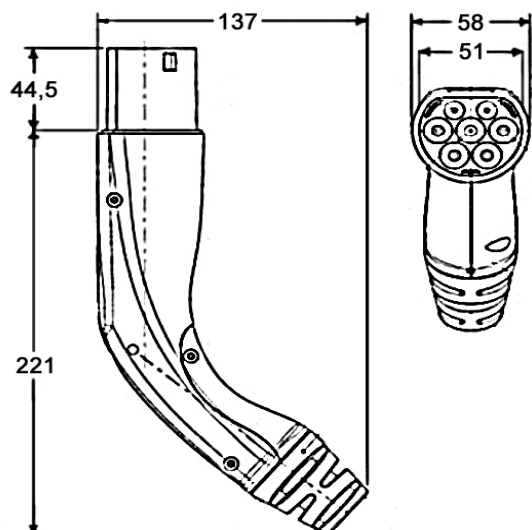
Rated voltage:	300/500V
Insulation/Sheath:	TPE / TPE
Max. temperature:	+105°C

200.CST23T23

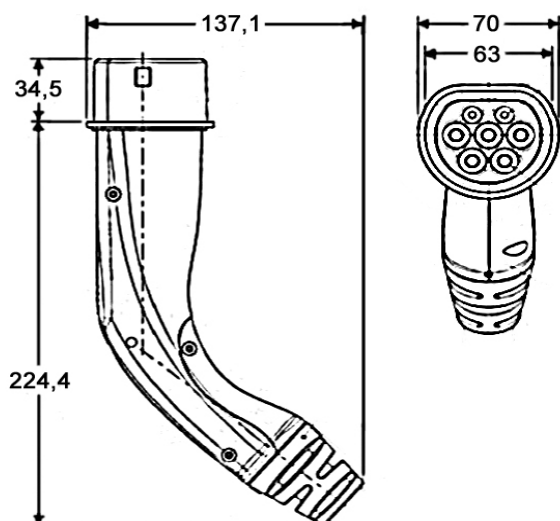
Cord set with plug Type 2 32A 1P
cable 3x6+1x0,5 5m - connector Type 2 32A 1P



> PLUG DIMENSIONS



> CONNECTOR DIMENSIONS



> REFERENCE STANDARD

EN 62196-1 (2012)

Plugs, socket-outlets, vehicle couplers and vehicle inlets.

Conductive charging of electric vehicles.

Part 1: General requirements.

EN 62196-2 (2012)

Plugs, socket-outlets and vehicle couplers.

Conductive charging of electric vehicles.

Part 2: Dimensional interchangeability requirements for a.c. pin and contact-tube accessories.

> TECHNICAL CHARACTERISTICS

Rated current:	32A
Rated voltage:	200-250VAC
Frequency:	50-60Hz
Insulating voltage:	500V
Protection degree:	IP44
Operating temperature:	-30°C +50°C
Material:	Engineering plastic
Salt mist:	Resistant
UV radiation:	Resistant

> CABLE

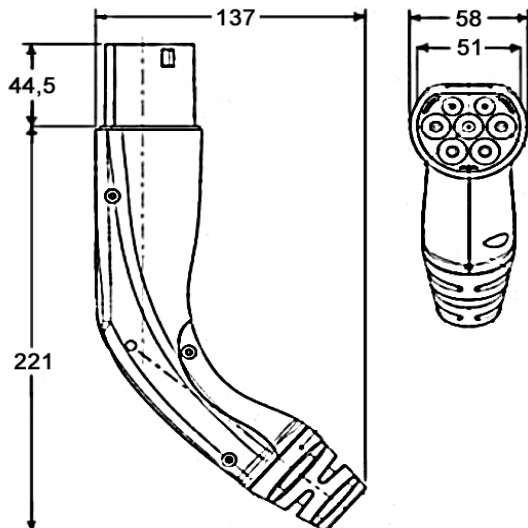
Rated voltage:	300/500V
Insulation/Sheath:	TPE / TPE
Max. temperature:	+105°C

200.CST24T24

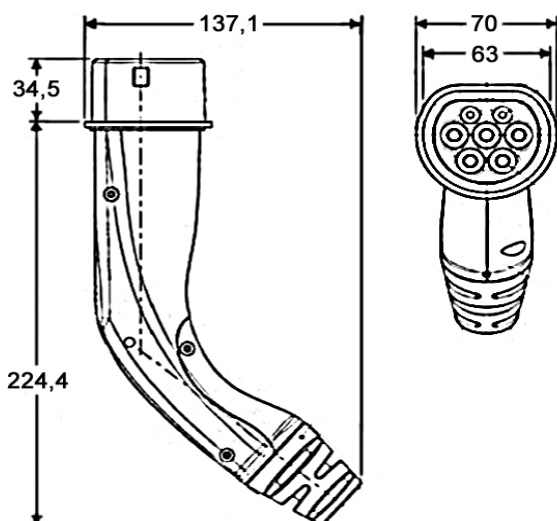
Cord set with plug Type 2 32A 3P
cable 5x6+1+0,5 5m - connector Type 2 32A 3P



> PLUG DIMENSIONS



> CONNECTOR DIMENSIONS



> REFERENCE STANDARD

EN 62196-1 (2012)

Plugs, socket-outlets, vehicle couplers and vehicle inlets.
Conductive charging of electric vehicles.
Part 1: General requirements.

EN 62196-2 (2012)

Plugs, socket-outlets and vehicle couplers.
Conductive charging of electric vehicles.
Part 2: Dimensional interchangeability requirements
for a.c. pin and contact-tube accessories.

> TECHNICAL CHARACTERISTICS

Rated current:	32A
Rated voltage:	380-480VAC
Frequency:	50-60Hz
Insulating voltage:	500V
Protection degree:	IP44
Operating temperature:	-30°C +50°C
Material:	Engineering plastic
Salt mist:	Resistant
UV radiation:	Resistant

> CABLE

Rated voltage:	300/500V
Insulation/Sheath:	TPE / TPE
Max. temperature:	+105°C